

30W Single Port Gigabit PoE Injector

P/N 3295-050



OVERVIEW

PoE Injector is also called as power over Ethernet mid-span devices. Single port PoE injector, that is PoE power supply module, is the most flexible and the hottest products among the power supply devices. There are 2x RJ45 PoE ports for these single-port PoE injectors, one of which is the Ethernet in Port for the uplink upper switches or other upper network devices, and another is PoE Out port used as the port for network data and power output. These single-port PoE injectors supply power with the spare line pair(4/5 (+), 7/8 (-) method or the data line pair 1/2(+), 3/6(-) method.

These PoE injectors provide a simple, economical, high-performance and intelligent way for Ethernet PoE power supply and data communication. It's ideal choice for those who need the superior quality project because of its simple use, easy to install, superior performance and cost-effective. They can supply power to HD webcam through Cat5 Ethernet cable, in order that make it more flexible for the places difficult to connect to power supply, and provide with more efficient solutions.

FEATURE

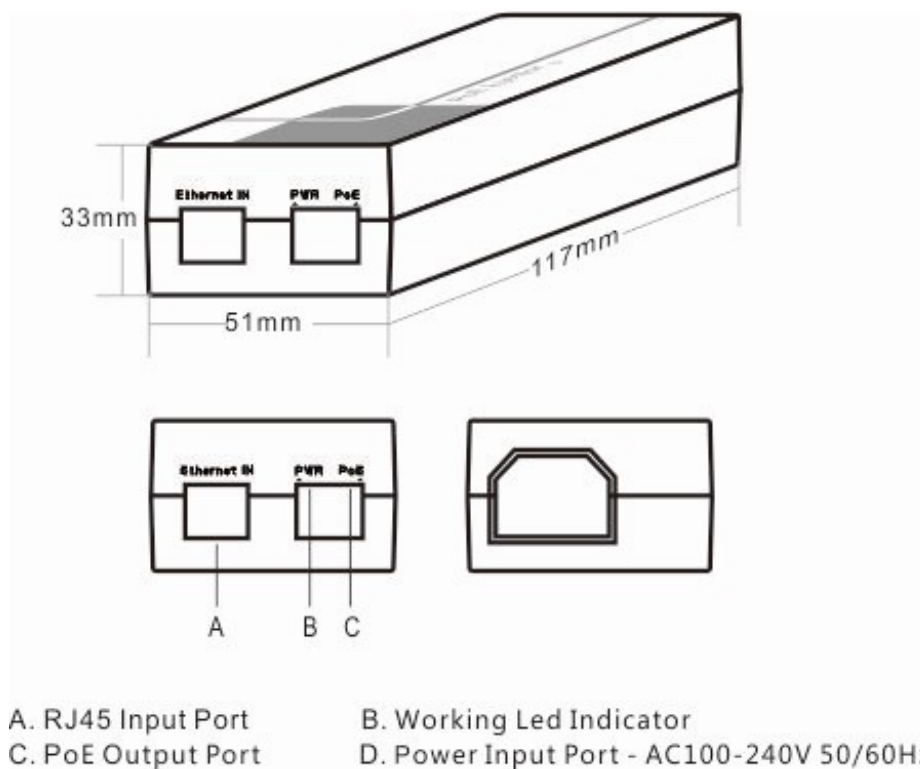
- ◇ Supply power to HD network surveillance cameras with Cat5e (PoE)
- ◇ 2x 10/100/1000M RJ45 ports; 1x AC input port
- ◇ AC input: 100~240V
- ◇ Compatible with IEEE 802.3af standard
- ◇ Coming with the Ethernet network port and PoE output port, and the power input port with lighting-proof function (meet the secondary lightning protection)
- ◇ Can supply power with the spare line pair(4/5 (+), 7/8 (-) method or the data line pair 1/2(+), 3/6(-) method
- ◇ No fan, natural heat dissipation, small, quiet design, suitable for desktop or wall

TECHNICAL SPECIFICATION

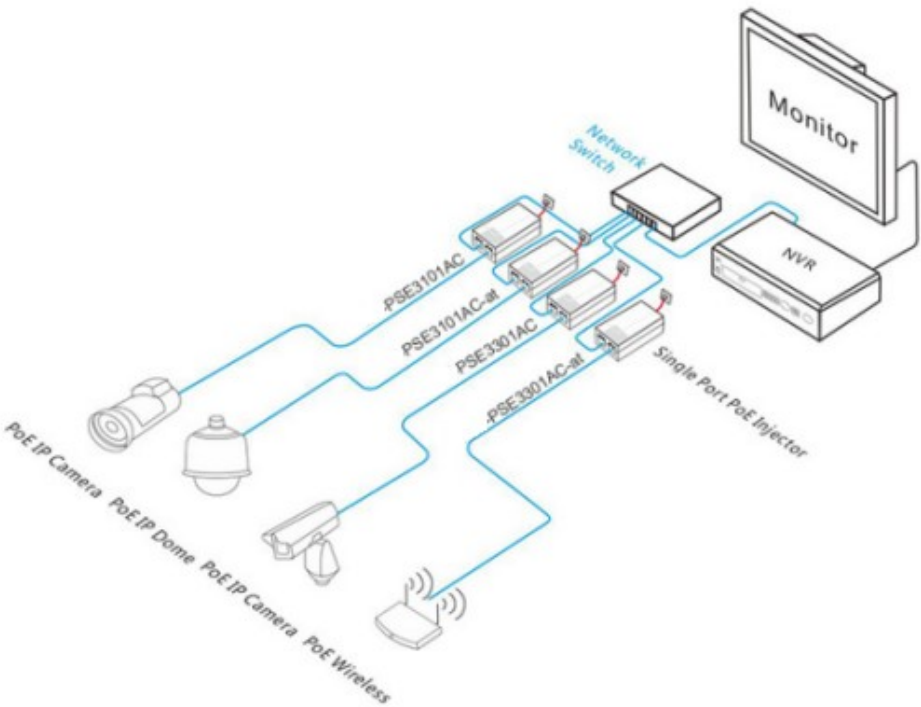
Model	PSE3301AC	PSE3301AC-at
Port Description	2x copper cable RJ45 ports, 1x AC input port	
Power Supply Pin	Default: 1/2 (+), 3/6 (-), optional: 4/5(+), 7/8(-)	
Network Medium	1000Base-T: 5Cat and more UTP (≤100 meters)	
Thermal Protection	>100°C	
Working Rate	10/100/1000Mbps	
Network Port Protection	IEC61000-4-2(ESD)	
MTBF	100,000 hours	
LEDs Indicator	PoE working status	
PoE Standards	IEEE 802.3af - 3295-210	IEEE 802.3at - 3295-050
Total Power	18W	35W
PoE Port Power	15.4W	30W

AC Input Voltage	100~240V, 50~60Hz 0.5A
DCOutput Voltage	52V
Dimensions	117*51*33mm
Weight	0.14kg
Operation TEMP / Humidity	-20°~ 55°C;10%~90%% RH Non condensing
Storage TEMP / Humidity	-20°~ 75°C;10%~95% RH Non condensing
Certification	CE mark,commercial,FCC Part 15 Class B, RoHS
Warranty	3 years warranty

DIMENSION



APPLICATION



ORDERING INFORMATION

Model	Description
PSE3101AC	10/100M single port PoE injector, 2x RJ45 ports,IEEE802.3af, total power is 18W
PSE3101AC-at	10/100M single port PoE injector, 2x RJ45 ports, ,IEEE802.3at, total power is 35W
PSE3301AC	10/100/1000M single port PoE injector, 2x RJ45 ports,IEEE802.3af, total power is 18W
PSE3301AC-at	10/100/1000M single port PoE injector, 2x RJ45 ports, ,IEEE802.3at, total power is 35W

Notes:Default: 1/2 (+), 3/6 (-),optional:4/5(+), 7/8(-)