

## Fibre Keystone Coupler

3284-910



### **Fibre Keystone Couplers**

Our new range of fibre couplers extends our selection of multimedia adapters. These female to female keystone couplers with their standardised dimensions can be used for easy snap-in mounting in a keystone patch panel, faceplate or surface-mount box. Their range now consists of couplers for the six of the most popular fibre connectors (SC, ST and LC) in both black and white. The compact design allows fitting 24 keystone couplers in a 1U keystone patch panel.

### **Features**

- Fibre female to female keystone couplers as follows:
  - SC to SC multi-mode simplex
  - SC to SC single mode simplex
  - LC to LC multi-mode duplex
  - LC to LC single-mode duplex
  - ST to ST multi-mode simplex
  - ST to ST single-mode simplex
- Designed to fit industry standard keystone outlets and patch panels
- Black and white versions available to match panel or faceplate colour



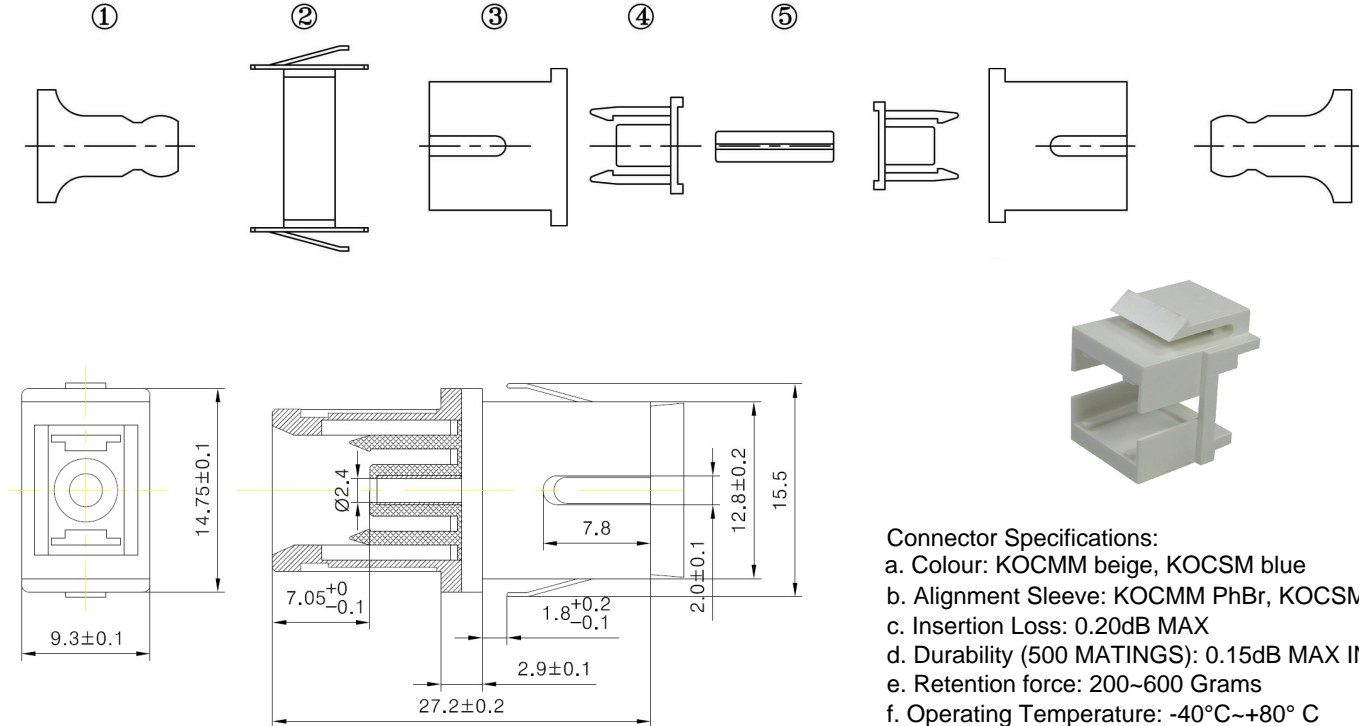
### ***Specifications***

- Connections: female to female
- Keystone housing: ABS UL94V-0
- Dimensions (without dust covers) in black/white keystone housing:



Unit 10, 2M Trade Park  
Beddow Way  
Aylesford  
Kent. ME20 7BT  
Tel: 01622 716688  
Email: [sales@fairline.co.uk](mailto:sales@fairline.co.uk)  
Web: [www.fairline.co.uk](http://www.fairline.co.uk)

# ROHS Compliant



Connector Specifications:

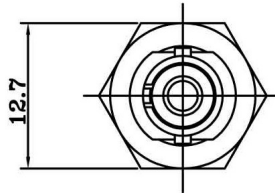
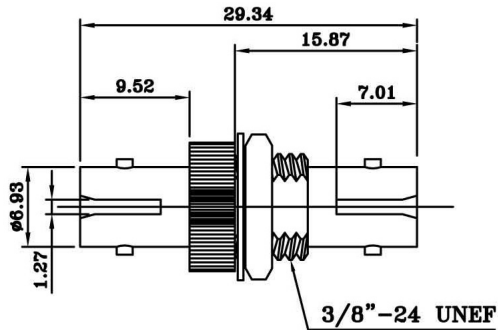
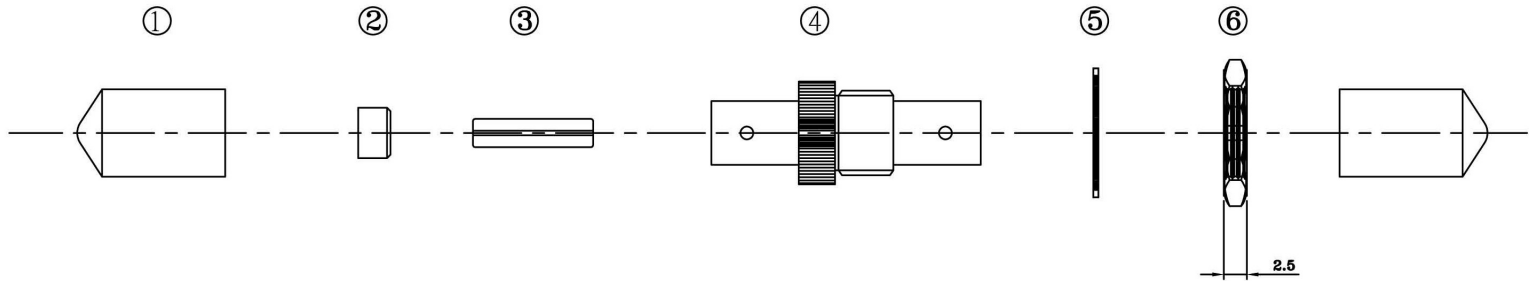
- a. Colour: KOCMM beige, KOCSM blue
- b. Alignment Sleeve: KOCMM PhBr, KOCSM Zr02
- c. Insertion Loss: 0.20dB MAX
- d. Durability (500 MATINGS): 0.15dB MAX INCREASE
- e. Retention force: 200~600 Grams
- f. Operating Temperature: -40°C~+80° C

Keystone Adaptor Material: ABS UL94V-0, available in white or black

5	Sleeve	KOCMM PhBr, KOCSM Zr02	1	▽ :Critical Dim ◎ :Major CAV
4	SC Hook	PBT(GF 15%)	2	
3	SC Adaptor Body Simplex	PBT(GF 30%)	2	Tolerances 0. ±0.50 0.0 ±0.20
2	Clip	Stainless	1	
1	SC Adaptor Cap	ABS	2	Angle ±2°
NO	Descriptions	Material	Q'ty	⊕

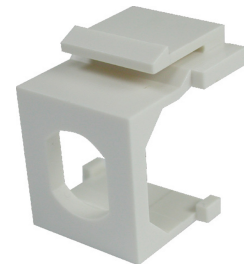


ROHS Compliant



Connector specifications:

- a. Colour: KOTMM black dust cover, KOTSM yellow dust cover
  - b. Alignment Sleeve: KOTMM PhBr, KOTSM ZrO2
  - c. Insertion Loss: 0.20dB MAX
  - d. Durability (500 MATINGS): 0.15dB MAX INCREASE
  - e. Retention Force: 200~600 Grams
  - f. Operating Temperature: -40°C~+80° C
  - g. Material: Zn-Alloy
- Keystone Adaptor Material: ABS UL94V-0, available in white or black



6	3/8" -24 UNEF	Cu-Ni	1	
5	Washer	Steel-Ni	1	▽ :Critical Dim
4	ST Adaptor Body Simplex	Zn-Alloy	1	⊙ :Major CAV
3	Sleeve	KOTMM PhBr, KOTSM ZrO2	1	Tolerances
2	Bush	Cu-Ni	1	0. ±0.50
1	ST Adaptor Cap	PVC	2	0.0 ±0.20
NO	Descriptions	Material	Q'ty	Angle ±2°
				⊕