

Excel Euromod Angled Shutter For Keystone Jack - White

Item Code: 100-175

excel
without compromise.



✕ Angled design optimises space whilst ensuring minimal stress to installed cables

Available in black/white

✕ - Compatible with a range of faceplates

Product overview

A range of mounting options are available for the Excel Keystone Tool-less Jacks that allow them to be installed in a number of situations. This flexibility results in the ability to have the same jacks terminating the cable in the patch panel and at the outlet.

The shutters are available in the Euromod 25 x 50mm and the 6C (LJ6C) 22.5 x 37mm sizes. Both come with windows and labels fitted to complete the installation. Blanking plates available in half and single size are available in the Euromod size to configure single or triple outlets.

- Euromod size

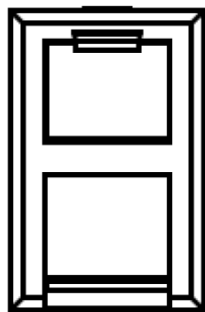
Product specifications

Features	Values
Utilisation	Mounting cover data connector
Material	Plastic
Type of surface	Angled
Colour	White
Type of fastening	Engage (snap)
Width of device	25 mm
Height of device	50 mm

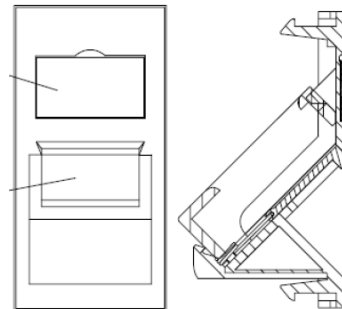


Unit 10, 2M Trade Park
Beddow Way
Aylesford
Kent. ME20 7BT
Tel: 01622 716688
Email: sales@fairline.co.uk
Web: www.fairline.co.uk

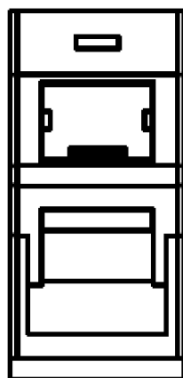
Product drawing



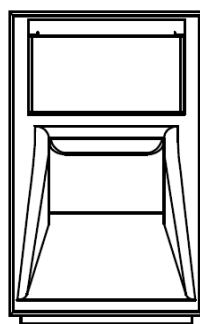
100-018, 100-018-BK



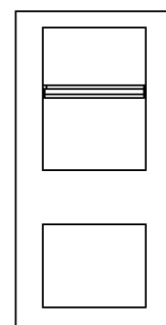
100-175, 100-175-BK



100-020, 100-020-BK



100-022, 100-022-BK



100-014

Standards

Applicable standard

BSEN 60670-1:2005 + A1:2013

Detail

Boxes and enclosures for electrical accessories for household and similar fixed electrical installations general requirements

BSEN 61340-5-1:2007

Protection of electronic devices from electrostatic phenomena. General requirements apply to activities that: manufacture, process, assemble, install, package, label, service, test, inspect, transport or otherwise handle electrical or electronic parts, assemblies and equipment susceptible to damage by electrostatic discharges greater than or equal to 100 V human body model (HBM).