

Excel Category 6A (STP) Screened Angled Keystone Toolless Jack Butterfly Style

Item Code: 100-185

excel
without compromise.



✕ Screened

✕ Suitable for use in 100-024 only

✕ Supports 10 Gigabit Ethernet

✕ Toolless termination design

Product overview

Excel Category 6A Screened Angled Keystone Jack is a toolless termination RJ45 socket suitable for mounting in patch panels.

The angled design of the socket face makes this product ideal for high density frames. Traditional horizontal patch cable management bars can be removed or reduced in number as the leads follow a natural route to the left or right of the panel and the cabinets vertical management.

To the rear of the socket the design is exactly the same as the excel keystone range, enabling standard termination and cable dressing practices to be followed. The socket itself is housed in a high quality zinc die cast housing, which opens at the rear in a butterfly manner to reveal the IDC termination points. Once the conductors of the cable to be terminated are fed into a management cap the process is completed by snapping the 'butterfly wings' together with minimal, but firm pressure.

Product specifications

Features	Values
Model	Jack
Type of connector	RJ45 8(8)
Category	6A (IEC)
Colour	Silver
AWG-range	22...26

Additional specifications

Features	Values
Width	17mm
Depth	49mm
Height	26mm
Housing	Die cast Zinc-alloy

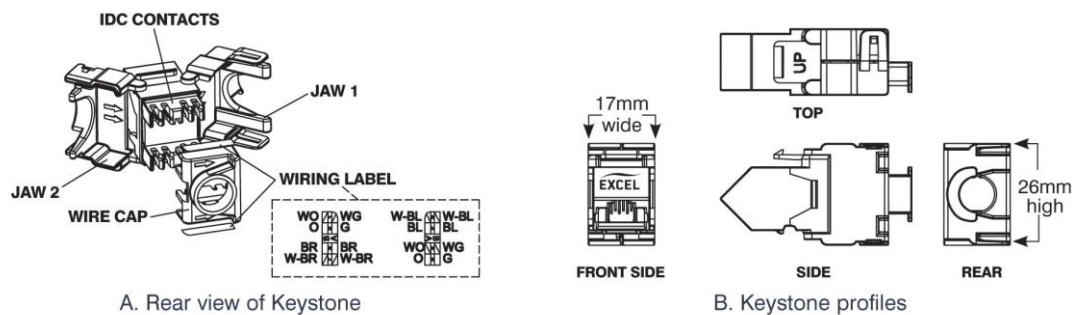
Excel Category 6A (STP) Screened Angled Keystone Toolless Jack Butterfly Style

Item Code: 100-185



RJ45 Contacts	Nickel plated phosphor bronze alloy with 50 micro-inch Gold plating
IDC Contacts	Tin plated phosphor bronze alloy
RJ45 Life	Minimum 750 insertions
Storage temperature	-40 to +70°C
Operating temperature	-10 to +60°C

Product drawing



Included accessories

Accessories	Singles	24-packs
Nylon cable tie	1	24
Wiring cap	1	24

Standards

Applicable standard	Detail
RoHS	Restriction of Hazardous Substances - Compliant
ISO/IEC 11801-1:2017	Information technology - Generic cabling for customer premises: Part 1 General Requirements
EN 50173-1:2011	Information technology. Generic cabling systems General requirements
ANSI/TIA 568-2.D	Balanced Twisted-Pair Telecommunications Cabling and Components Standards

Part number table

Part Number	Description
-------------	-------------

Excel Category 6A (STP) Screened Angled Keystone
Toolless Jack Butterfly Style

Item Code: 100-185



100-185

Excel Category 6A (STP) Screened Angled Keystone Toolless Jack Butterfly Style

100-185-24

Excel Category 6A (STP) Screened Angled Keystone Toolless Jack Butterfly Style (24-pack)



Unit 10, 2M Trade Park
Beddow Way
Aylesford
Kent. ME20 7BT
Tel: 01622 716688
Email: sales@fairline.co.uk
Web: www.fairline.co.uk

Excel is a world class premium performing end to end infrastructure solution designed,
Manufactured, supported and delivered without compromise.



E&OE