



X LJU Voice Socket

X Euro & 6c sizes

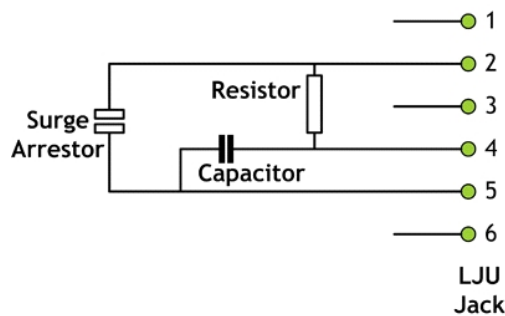
X PSTN Master, PABX Master & Secondary

Features

- LJU Voice Socket
- PSTN Master, PABX Master & Secondary
- Fit Standard Excel Faceplates
- Euro & 6c sizes
- Slide Label System

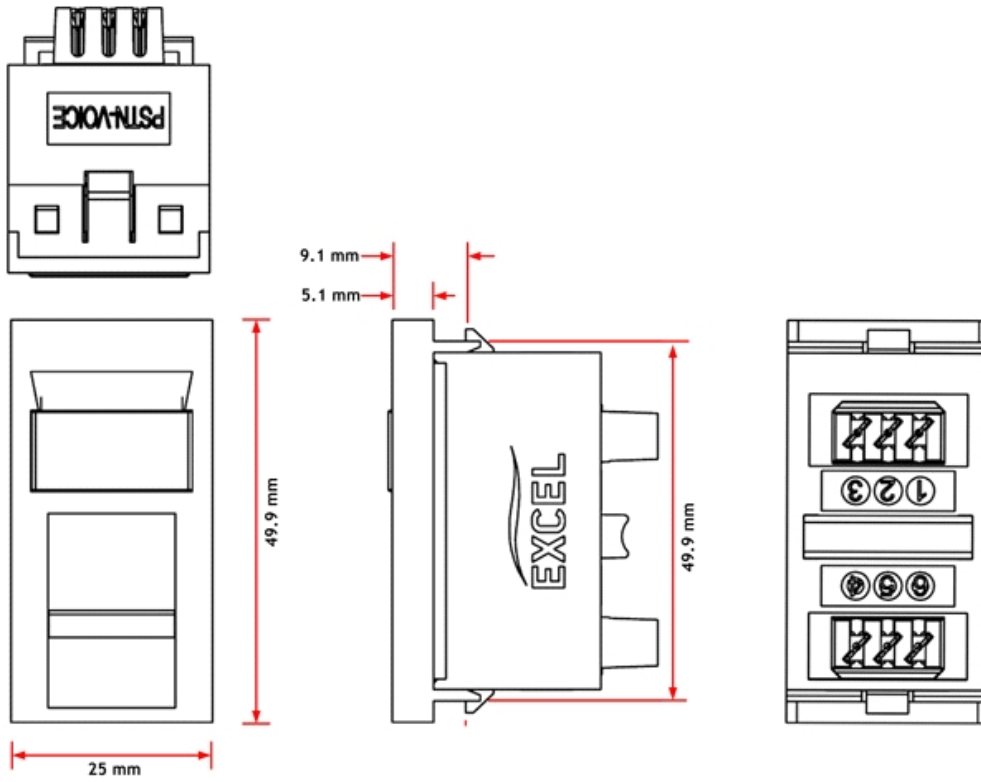
Product Overview

The Euro and 6c style voice outlets have the standard Excel slide label system and an LJU right polarised socket as standard. The Euro style fits the standard Excel faceplates whereby the 6c modules can be used in most floor plates or the new Excel wall mount 6c faceplates. A left hand polarised version is available for applications requiring this design.

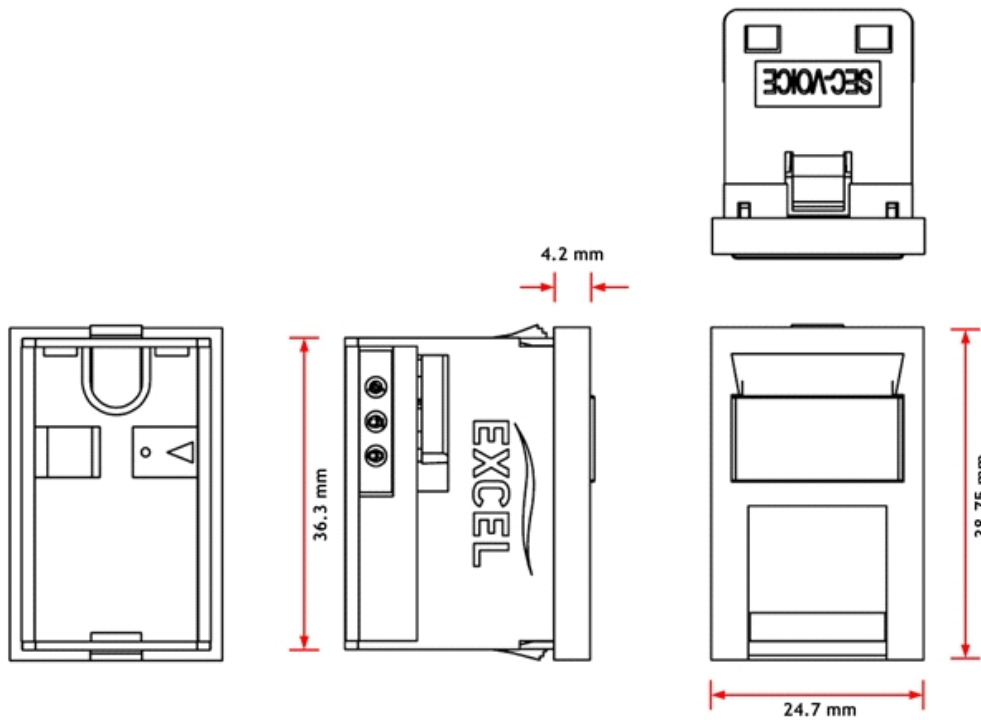


Component Connections

Euro Size Module



6c Size Module



Material Properties

Item	Material
Spring	Stainless Steel SUS304
SIP Plastic	ABS 80% + AS 20% High-Impact UL94HB
Jack Housing	PBT
Spring Wire	Phosphor Bronze
IDC Plastic	Polycarbonate Resin High-Impact UL94V-0 Thermoplastic
IDC Contact	Phosphor Bronze C5191R-H
IDC Contact	Thickness = 0.4 mm, 140µ" Tin over 100µ" Nickel undercoat

Physical Characteristics

Characteristic	Value
Slide Label Dimensions	17 mm Wide x 12 mm High
Maximum Insertions	750 Mating Cycles with compliant plug
Contact Force	100 Grams with compliant plug
Plug Retention Force	48.9 N min
Durability	200 Termination Cycles
IDC Compatibility	22 - 24AWG
Operating Temperature Range	-10°C to +60°C
Storage Temperature Range	-40°C to +68°C
Relative Humidity	10% to 90% RH

Electrical Characteristics

Characteristic	Value
Insulation Resistance	500 MΩ
Dielectric Strength	1000 V
DC Current Rating	1.5 Amps
DC Resistance	20 mΩ

Part Number Information - Euro Size

Part No.	Description
100-785	PSTN Volce Module Euro Style
100-796	PSTN Volce Module Euro Style Left Hand Polarised
100-783	PABX Volce Module Euro Style
100-781	Secondary Volce Module Euro Style

Part Number Information - 6c Size

Part No.	Description
100-789	PABX Volce Module 6C Style
100-787	Secondary Volce Module 6C Style

System Warranty

The Excel System Warranty provides a 25-year product and applications assurance of compliance with the industry performance standard appropriate to the class of cabling installed. The warranty may be applied for by an accredited Excel Partner who has designed, supplied and installed the said system.



Unit 10, 2M Trade Park
Beddow Way
Aylesford
Kent. ME20 7BT
Tel: 01622 716688
Email: sales@fairline.co.uk
Web: www.fairline.co.uk

Excel is a world-class premium performing end-to-end infrastructure solution - designed, manufactured, supported and delivered - without compromise.

