

Excel White Single Gang Bevelled Plate without Blanks

excel
without compromise.

Item Code: 100-712



✕ Available in flat/bevelled design

✕ Available in white/black

✕ Available in single/double gang

✕ Supplied with fixing screws

✕ Up to 4 modules/faceplate

✕ 25 Year system warranty

Product overview

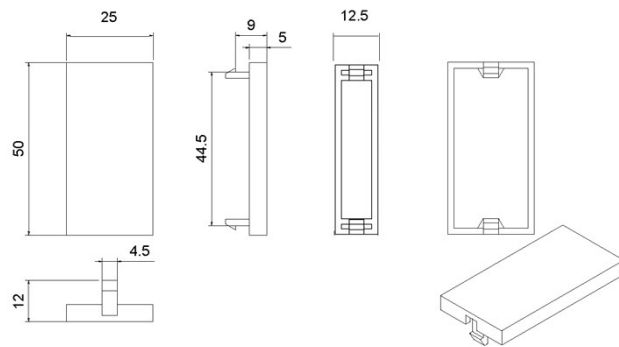
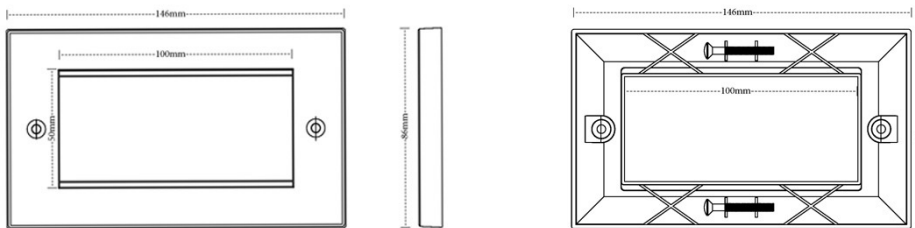
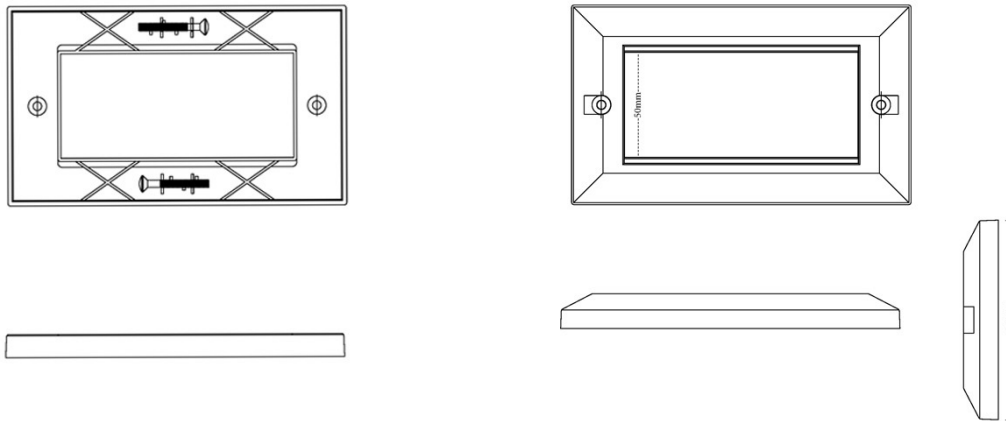
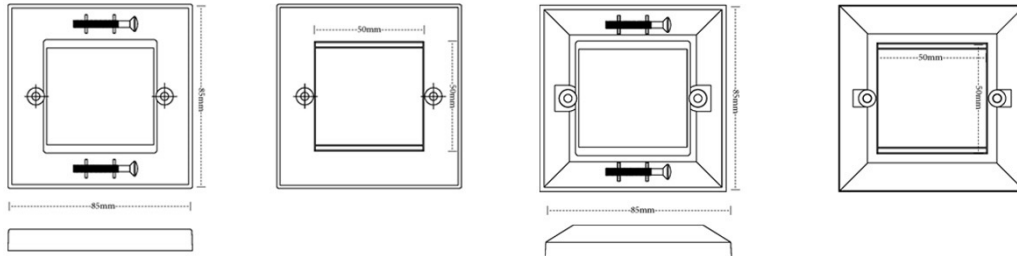
The Excel Faceplate Range suits the Excel Cat5e, 6 and 6A Modules and Keystone jacks including the toolless jacks, and brings style to any Excel installation.

Product specifications

| Features | Values |
|-------------------|----------------|
| Number of units | 2 |
| Material | Thermoplastic |
| Colour | White |
| RAL-number (akin) | 9016 |
| Type of fastening | Screw mounting |
| Width | 85 mm |
| Height | 85 mm |
| Aperture width | 50 mm |
| Aperture height | 50 mm |

Item Code: 100-712

Product drawings



Excel White Single Gang Bevelled Plate without Blanks



Item Code: 100-712

Standards

| Applicable standard | Detail |
|------------------------------|--|
| BS EN 60670-1:2005 + A1:2013 | Boxes and enclosures for electrical accessories for household and similar fixed electrical installations general requirements |
| BS EN 61340-5-1:2007 | Protection of electronic devices from electrostatic phenomena. General requirements apply to activities that: manufacture, process, assemble, install, package, label, service, test, inspect, transport or otherwise handle electrical or electronic parts, assemblies and equipment susceptible to damage by electrostatic discharges greater than or equal to 100 V human body model (HBM). |
| BS EN 60529:1992+A2:2013 | Degrees of Protection provided by Enclosures (IP CODE) |
| RoHS | Restriction of Hazardous Substances - Compliant |

Part number table

| Part Number | Description |
|-------------|---|
| 100-712 | Excel White Single Gang Bevelled Plate without Blanks |
| 100-714 | Excel White Single Gang Flat Plate without Blanks |
| 100-714-BK | Excel Black Single Gang Flat Plate without Blanks |
| 100-715 | Excel White Half Width (12.5mm) Blank Plate |
| 100-715-BK | Excel Black Half Width (12.5mm) Blank Plate |
| 100-716 | Excel White Double Gang Bevelled Plate without Blanks |
| 100-718 | Excel White Double Gang Flat Plate without Blanks |
| 100-719 | Excel White Full Width (25mm) Blank Plate |
| 100-719-BK | Excel Black Full Width (25mm) Blank Plate |



Unit 10, 2M Trade Park
Beddow Way
Aylesford
Kent. ME20 7BT
Tel: 01622 716688
Email: sales@fairline.co.uk
Web: www.fairline.co.uk

Excel is a world class premium performing end to end infrastructure solution designed, Manufactured, supported and delivered without compromise.

