

1

2

3

4

5

6

7

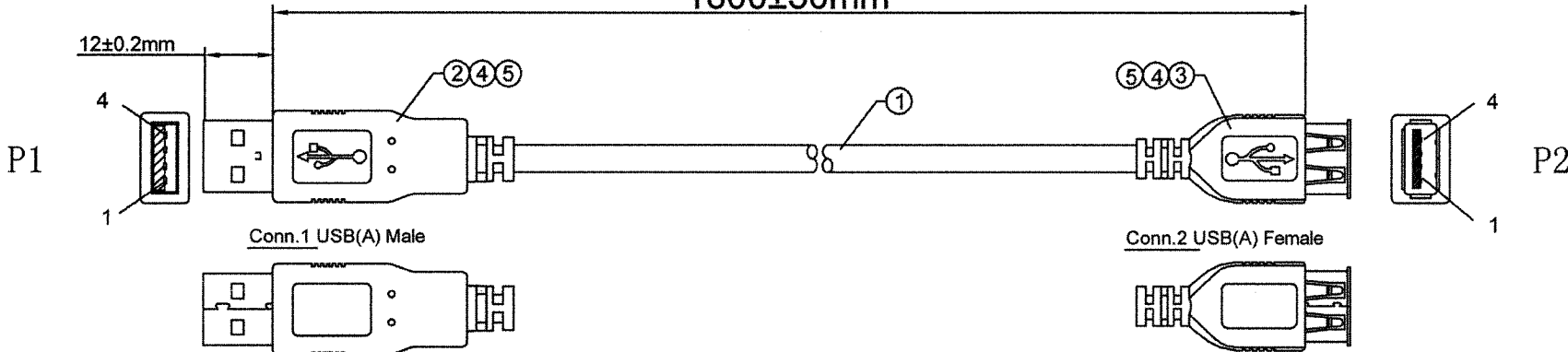
Signature	Revision History	Date	Rev.
Sean	For Bulk Production	May.05,2015	01

RoHS Compliant

USB A MALE  
INS:White

USB A Female  
INS:White

1800±30mm



Conn.1 USB(A) Male

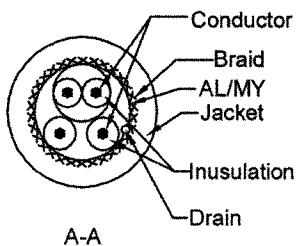
Conn.2 USB(A) Female

NOTE:

- CABLE: UL-2725 28AWG(7/0.127BC)\*1PR+24AWG(7/0.203BC)x2C+AL/MY+DW(7/0.127BC)  
+Braid(16/4/0.12 Al 50% Coverage ) OD=4.5±0.20mm Jacket Color: Black  
CABLE MUST PRINT: E\*\*\*\*\* AWM STYLE 2725 80°C 30V VW-1 USB Revision 2.0
- CONNECTOR P1:USB2.0 A MALE SOLDER,White INSULATION, Nickel Plated Shell,Pin Gold Plated.
- CONNECTOR P2:USB2.0 A Female SOLDER,White INSULATION, Nickel Plated Shell,Pin Gold Plated .
- Internal Molding transparent PE material
- Outside Molding 45P PVC Color BLACK
- ELECTRICLE TEST:
  - 100% OPEN SHORT & MIS WIRE TEST.
  - CONTACT RESISTANCE 2 ohm Max .
  - INSULATION RESISTANCE 10M ohm Min .
  - HI-POT TEST:DC 300V/10ms

PIN Assignment		
Conn.1		Conn.2
1	—	1
2	—	2
3	—	3
4	—	4
Shell	—	Darin Shell

Cross Section:



	Date	Name	Part No. 1135-0XX
Drawn by	May.05,2015	Sean	
Checked by	May.05,2015	Joe	
Approved by	May.05,2015	Andy	EAN:
			Title
			USB2.0 AM TO USB AF CABLE
Scale		N/A	Sheet
Unit		MM	1/1

1

2

3

4

5

6

7